

**Before you begin** — This unit is supplied with six ceramic fiber logs. Do not handle these logs with your bare hands. **Always wear gloves to prevent skin irritation from ceramic fibers.** After handling the logs, wash your hands gently with soap and water to remove any traces of fibers.

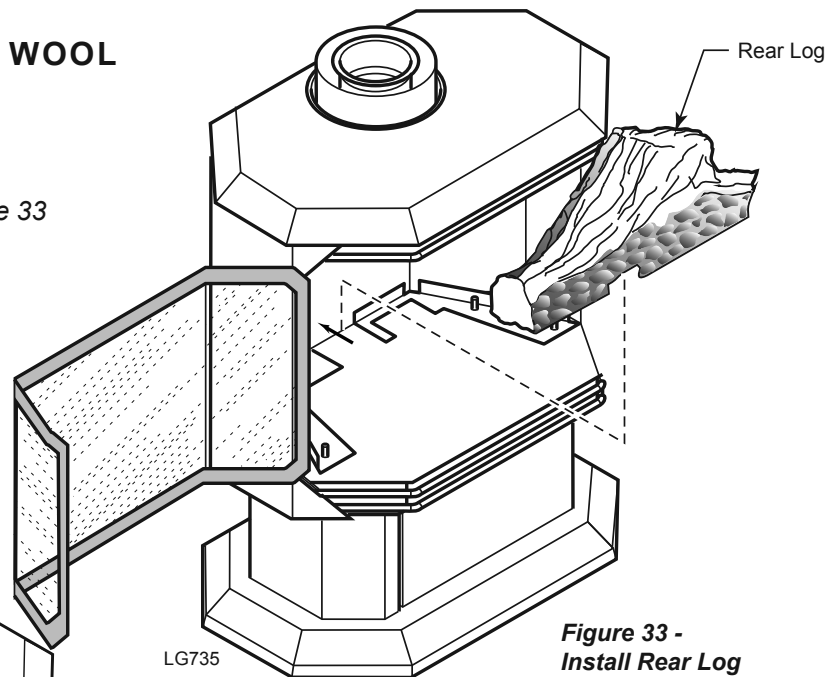
**WARNING**

The positioning of the logs is critical to the safe and clean operation of this heater. Sooting and other problems may result if the logs are not properly and firmly positioned in the appliance. Never add additional logs or embellishments such as pine cones or vermiculite to the heater. Only use the logs supplied with the unit.

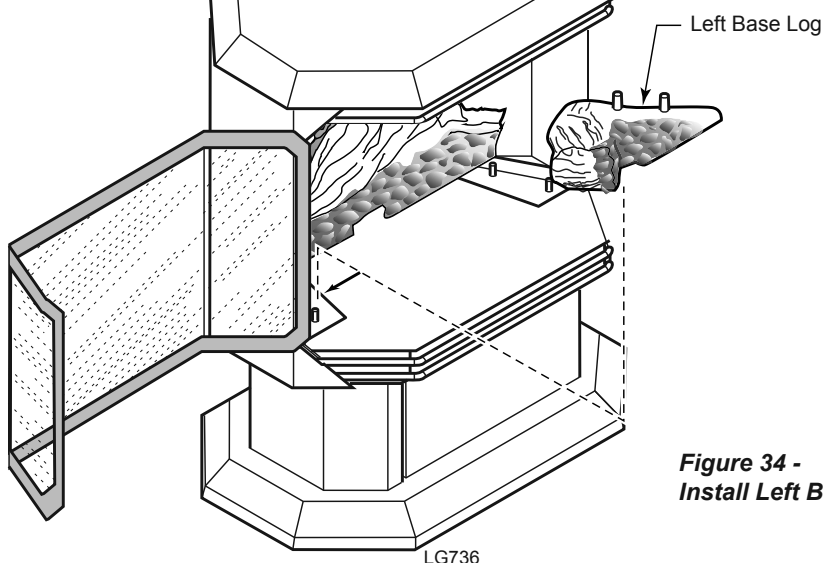
Failure to position the parts in accordance with diagrams below or to use only parts specifically approved for this heater may result in property damage or personal injury.

### INSTALLING LOGS AND ROCK WOOL (EMBER MATERIAL) IN FIREBOX

1. Carefully remove logs from wrapping.
2. Open front door of firebox.
3. Place rear log against back of firebox. *Figure 33*

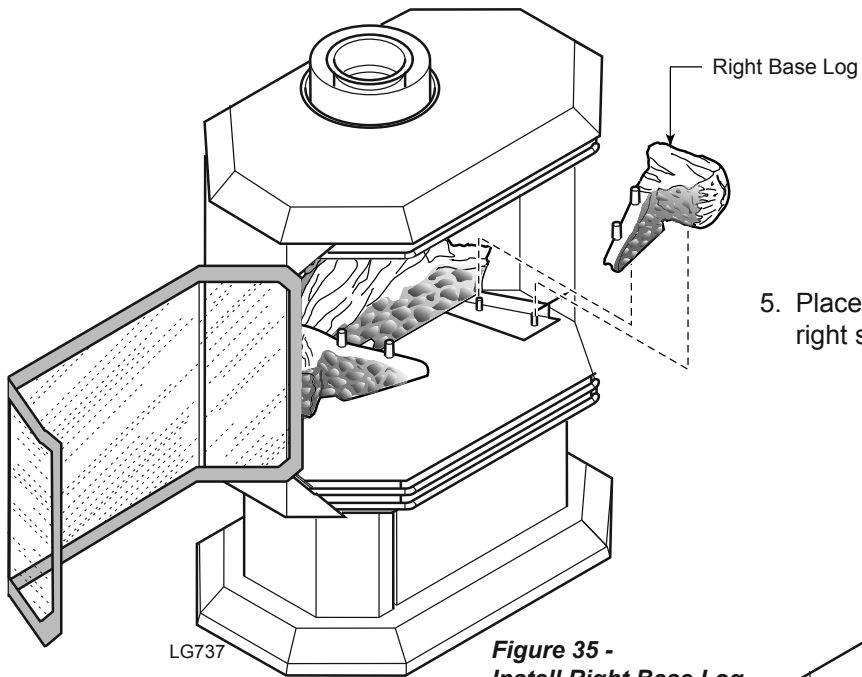


**Figure 33 -  
Install Rear Log**



4. Place left base log on two pins against left side of firebox. *Figure 34*

**Figure 34 -  
Install Left Base Log**

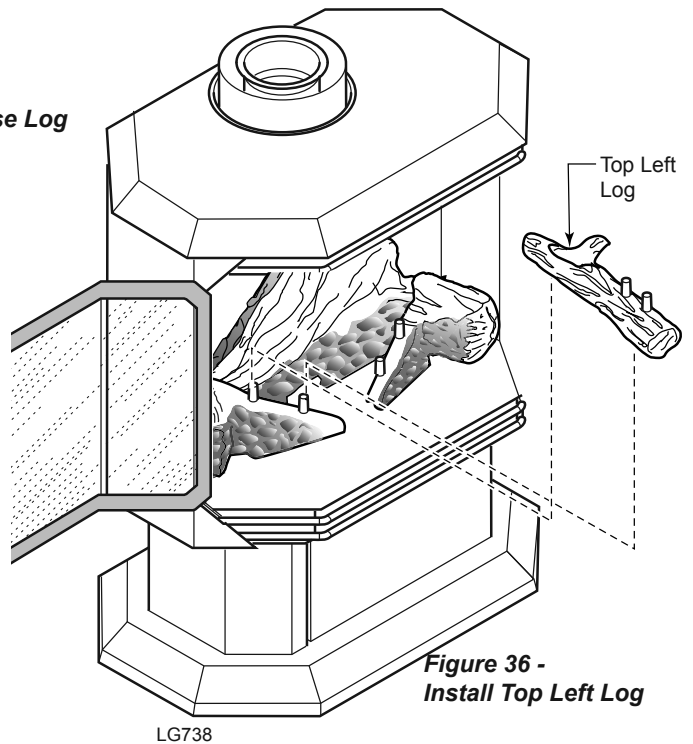


5. Place right base log on two pins against right side of firebox. *Figure 34.*

LG737

**Figure 35 -  
Install Right Base Log**

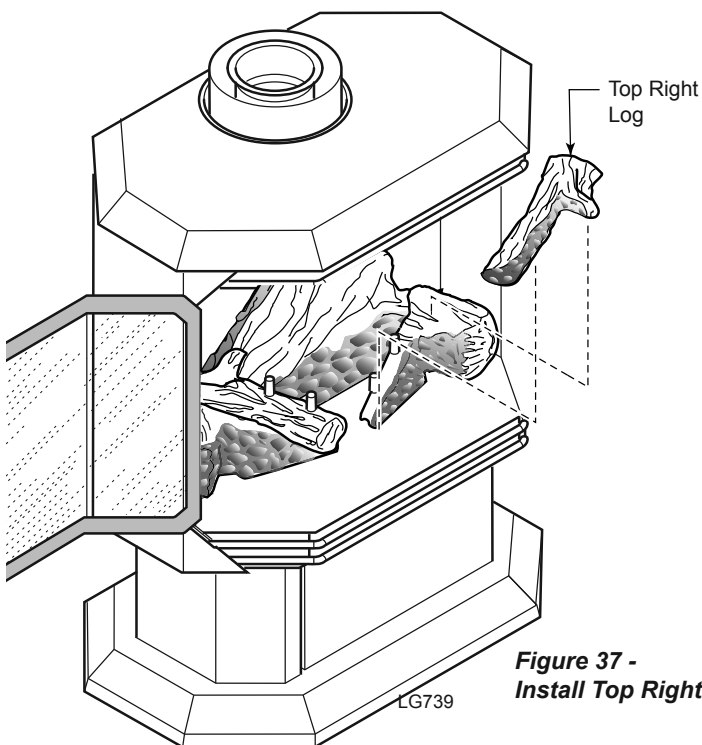
6. Place top left log on left base log. Line up the hole in the bottom of the top log with the locating pins on the bottom log. *Figure 36*



**Figure 36 -  
Install Top Left Log**

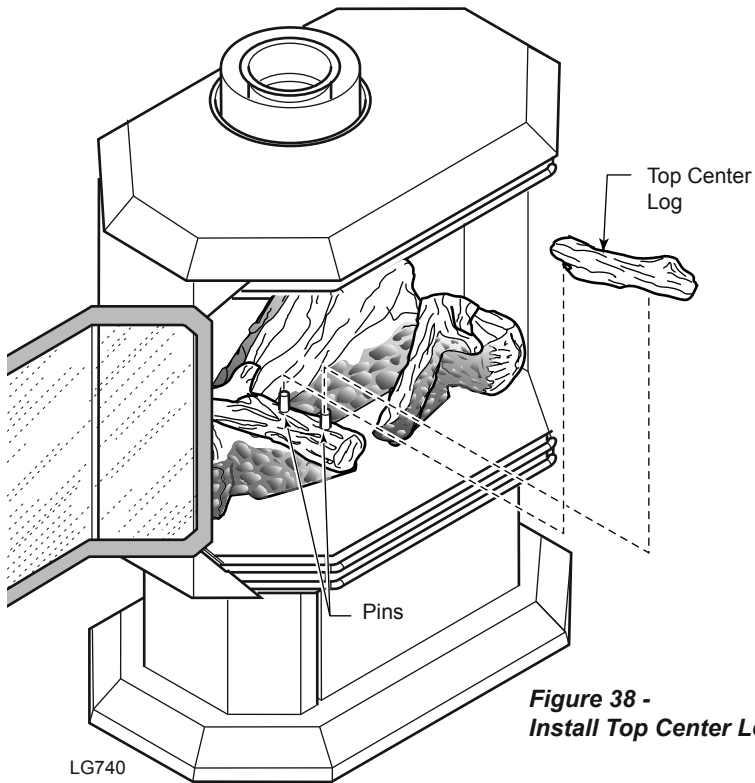
LG738

7. Place top right log on right base log. Line up the holes in the bottom of the top log with the locating pins on the bottom log. *Figure 37*



**Figure 37 -  
Install Top Right Log**

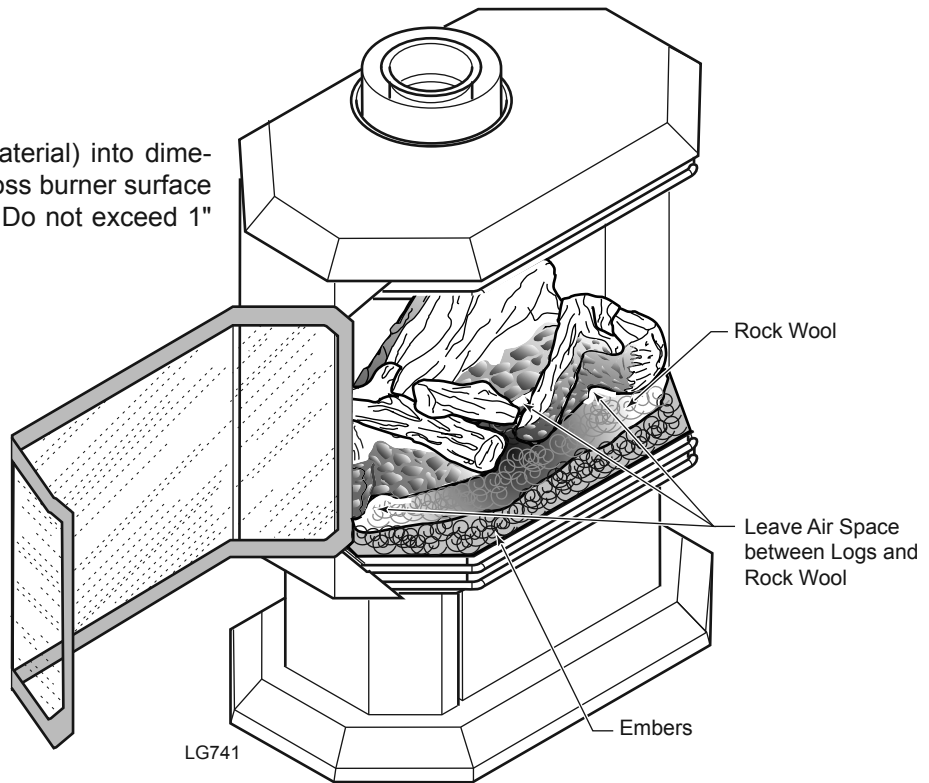
LG739



- Place top center log on top left log pins sand angle to burner. *Figure 38*

**Figure 38 -  
Install Top Center Log**

- Break up rock wool (ember material) into dime-sized pieces. Place evenly across burner surface and mesh of grate. *Figure 39*. Do not exceed 1" depth of coverage.



**Figure 39 -  
Install Rock Wool**